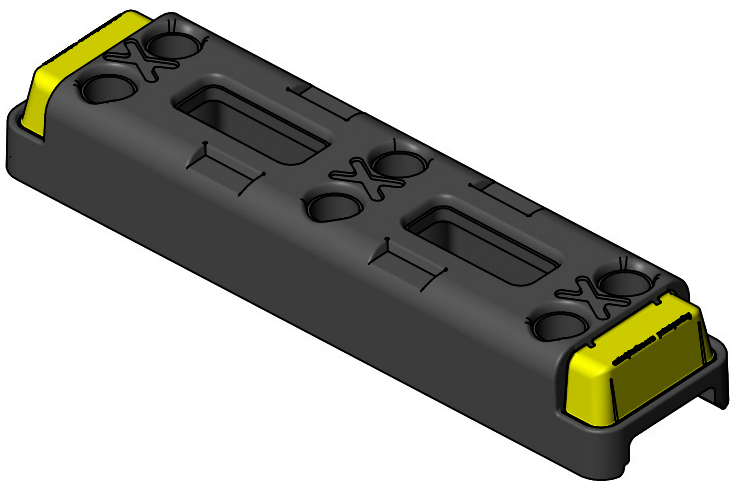
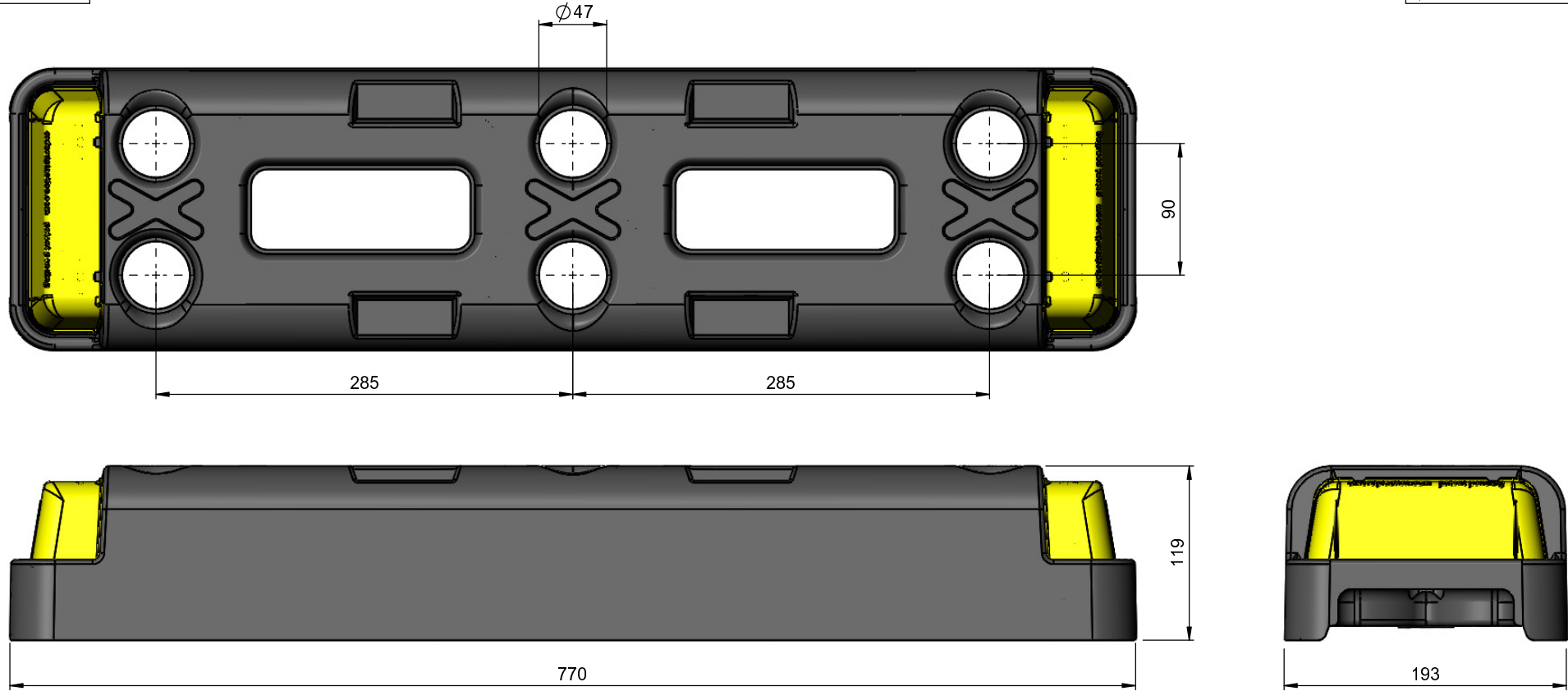


ALL DIMENSIONS IN MILLIMETRES
REMOVE ALL SHARP EDGES

THIRD ANGLE PROJECTION
DO NOT SCALE DRAWING



3	13/5/16	ISSUED FOR MANUFACTURE	GC		
2	3/5/16	ISSUED FOR MANUFACTURE	GC		
REV	DATE	DESCRIPTION	DRN	CHKD	APPR

TOLERANCES - UNLESS STATED OTHERWISE		TITLE: THERMO-PLASTIC FOOT (STD) HI VIS			
UNTOLERANCED DIMENSIONS		NAME		SIGNATURE	
CUTTING LENGTHS		DATE		MATERIAL:	
FABRICATION	UP TO 300mm	G. CRICK		RECYCLED PLASTICS	
	UP TO 1000mm				
	1001mm & ABOVE				
	ANGULAR				
MACHINING	DRAWN		FINISH:		
GAUGE	CHK'D		NONE		
WEIGHT					



Drw / Stockcode No.	Revision
12551030	3

THE COMPANY RETAIN THE RIGHT TO PERIODICALLY ALTER INFORMATION WITHIN THIS DRAWING SHEET AND WILL ATTEMPT TO NOTIFY ALL PARTIES CONCERNED OF ANY CHANGES AND THE INFORMATION ON THIS SHEET SHOULD NOT BE REPRODUCED WITHOUT THEIR WRITTEN CONSENT.